

## Single-hole mixer

22 815 892



- 235 mm projection
- pivotable spout 360°
- air-enriched flow
- height of mixer 378 mm
- height up to aerator 220 mm
- hole diameter 35 mm
- max. flow 7 l/min at 3 bar flow pressure
- lead-free
- This product can help a building to meet requirements of Green Building Rating Systems, e.g. LEED®, BREEAM®, DGNB

|   |                                |               |
|---|--------------------------------|---------------|
|    | Brushed Dark Platinum          | 22 815 892-99 |
|    | Chrome                         | 22 815 892-00 |
|    | Brushed Platinum               | 22 815 892-06 |
|    | Platinum                       | 22 815 892-08 |
|    | Durabronze (23kt Gold)         | 22 815 892-09 |
|    | Dark Chrome                    | 22 815 892-19 |
|    | Brushed Durabronze (23kt Gold) | 22 815 892-28 |
|    | Matte Black                    | 22 815 892-33 |
|   | Brushed Champagne (22kt Gold)  | 22 815 892-46 |
|  | Champagne (22kt Gold)          | 22 815 892-47 |
|  | Brushed Chrome                 | 22 815 892-93 |

### Recommended miscellaneous

**Strainer waste with control handle** 10 710 970-99



### Recommended miscellaneous

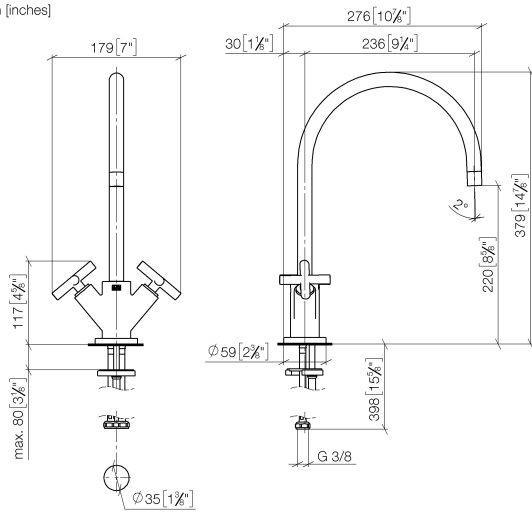
**Dispenser with rosette** 82 444 970-99



## Single-hole mixer

22 815 892

mm [inches]



## Flow rate chart



# Single-hole mixer

22 815 892

Parts for other  
finishes can be found  
here: [Chrome](#)

